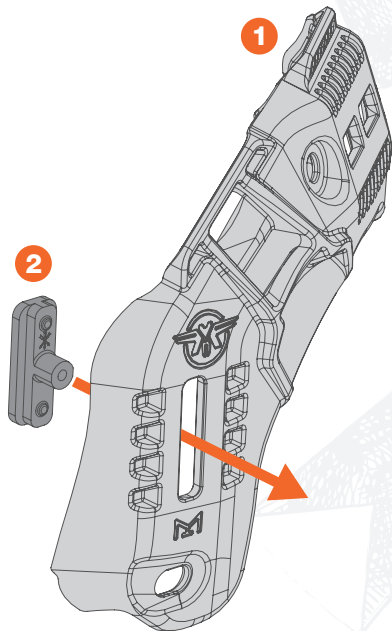


PLATFORM ADAPTER™ for *opscore*™ AMP™ and M-LOK™ RAIL

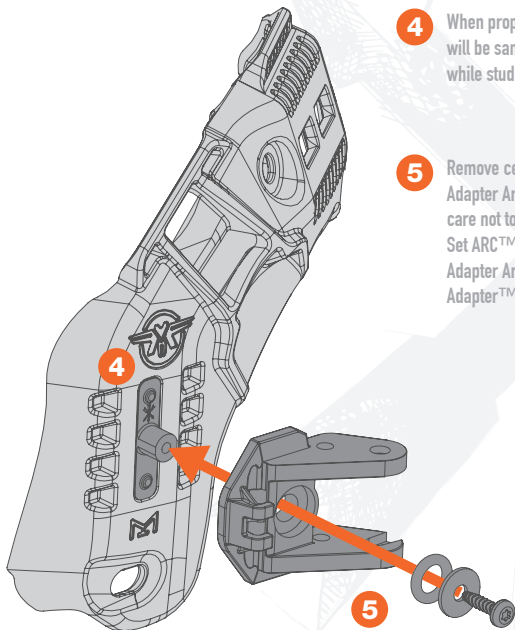
INSTALLATION INSTRUCTIONS



- 1** Platform Adapter™ for M-LOK™ Rails requires access to the back of the host rail. Begin by removing the rail from the helmet. Take care not to lose helmet rail mounting hardware.
- 2** Press Platform Adapter™ Stud through rear of helmet rail M-LOK™ slot.
- 3** Replace M-LOK™ rail on helmet. Ensure that Platform Adapter™ Stud stays secure in slot during reinstall.

PLATFORM ADAPTER for *opscore* AMP™ and M-LOK™ RAIL

INSTALLATION INSTRUCTIONS

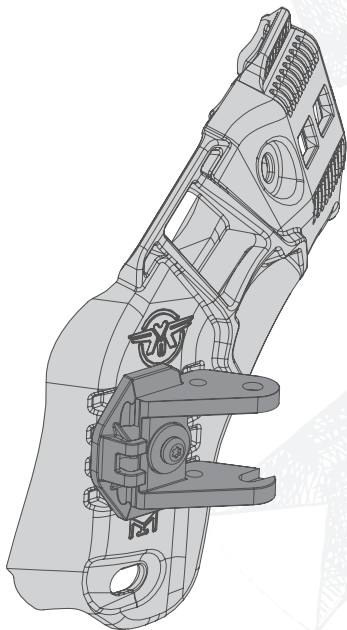


4 When properly installed, Platform Adapter™ Stud will be sandwiched between rail and helmet shell while stud protrudes proud of the rail surface.

5 Remove center screw from AMP™ Helmet Adapter Arm and pull ARC™ Adapter off. Take care not to lose the washer and rubber o-ring. Set ARC™ Adapter aside. Press AMP™ Helmet Adapter Arm assembly over exposed Platform Adapter™ Stud. Replace o-ring and washer.

PLATFORM ADAPTER for *opscore* AMP™ and M-LOK™ RAIL

INSTALLATION INSTRUCTIONS



- 6 Reinstall center screw. Torque 16-18 in-lb. When properly tightened, AMP™ Helmet Adapter Arm assembly will function as it would on Ops-Core™ ARC™ Rail.